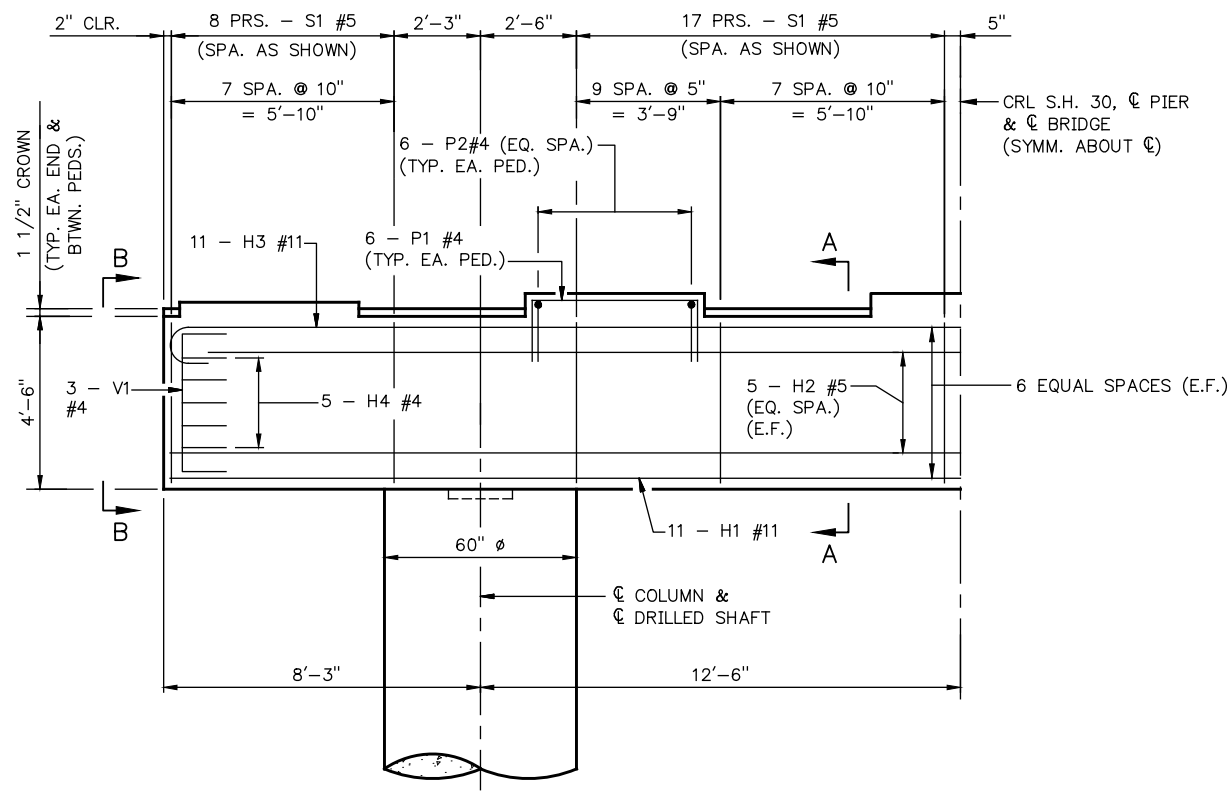
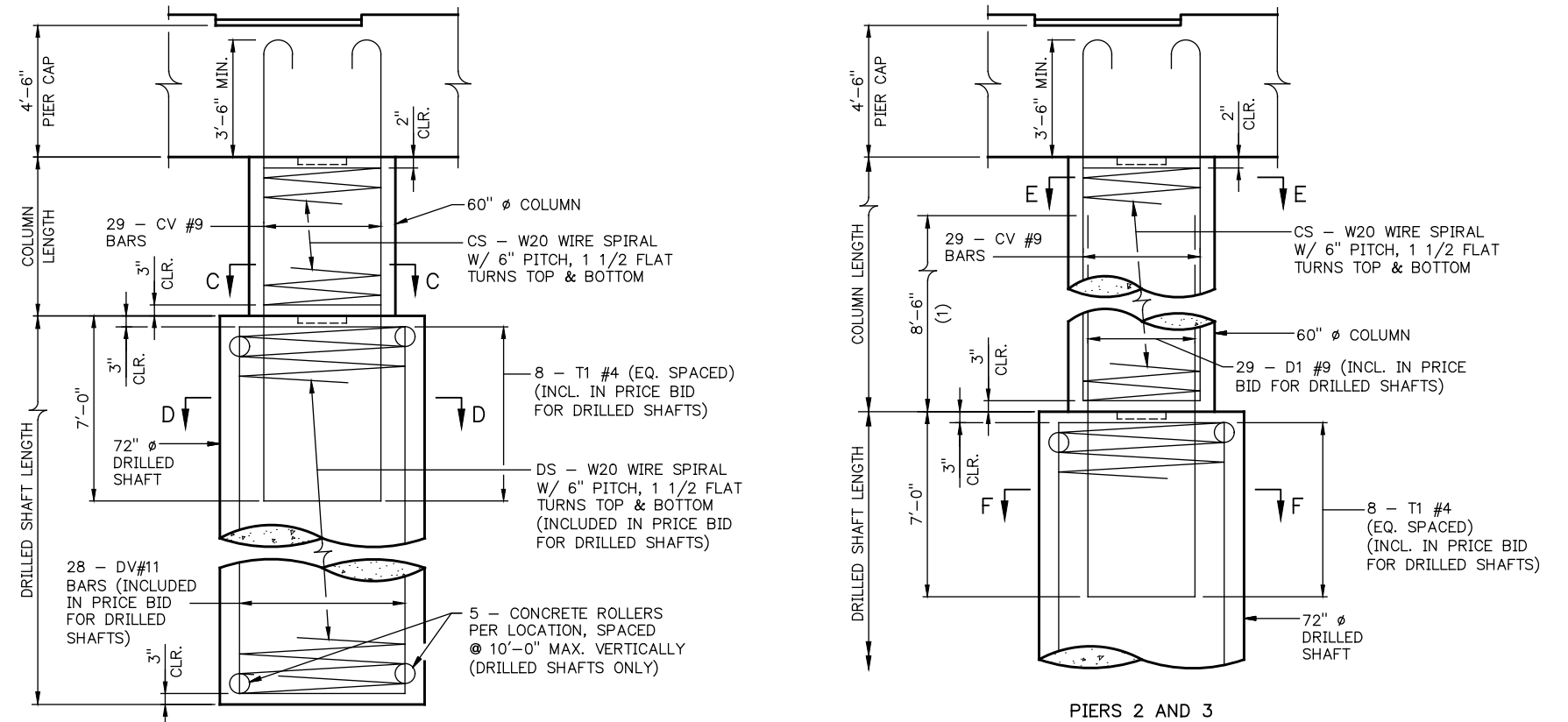


HALF PLAN



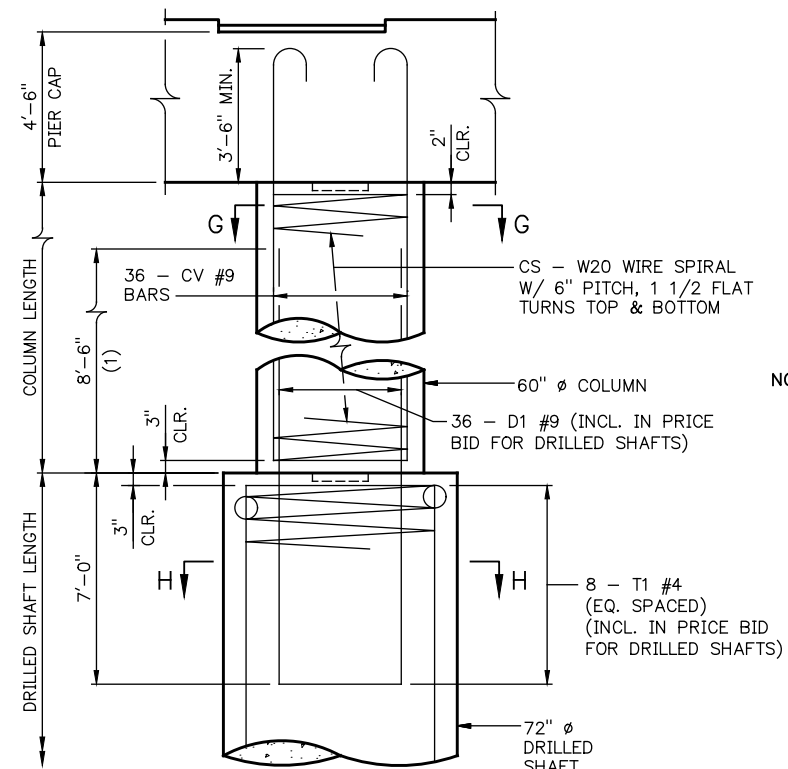
HALF ELEVATION

TYPICAL PIER CAP REINFORCING DETAILS



E.F. - DENOTES EACH FACE

(1) NOT TO BE CONSIDERED AS ADDITIONAL DRILLED SHAFT PAY LENGTH.



TYPICAL COLUMN AND DRILLED SHAFT REINFORCING DETAILS

NOTES: ALL DIMENSIONS AND DETAILS ARE TYPICAL FOR PIERS 1 THRU 9 UNLESS NOTED OR SHOWN OTHERWISE.

FOR TYPICAL PIER GEOMETRY AND DETAILS, SEE SHEET NO. 45.

FOR SECTION VIEWS, SPIRAL REINFORCING AND CONCRETE ROLLER DETAILS, BAR LISTS, BAR BEND DETAILS AND QUANTITIES, SEE SHEET NOS. 47 AND 48.

PIER DETAILS

(SHEET 2 OF 4)
BRIDGE "A" C.R.L. STA. 586+80.46